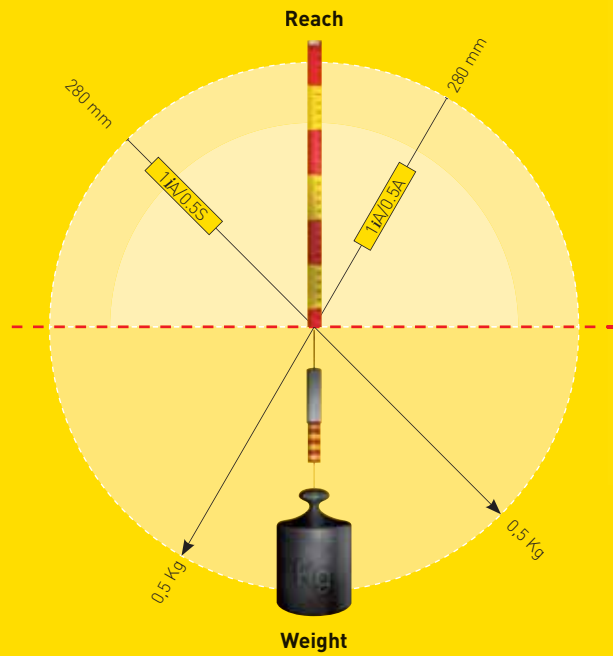


	Robot model	Controller	Controlled axes	Max. load capacity at wrist [kg]	Repeatability [mm]	Mechanical weight [kg]	Reach [mm]	Motion range [°]						Maximum speed [°/s]						J4 Moment [Nm]/ Inertia [kgm <sup>2</sup> ]	J5 Moment [Nm]/ Inertia [kgm <sup>2</sup> ]	J6 Moment [Nm]/ Inertia [kgm <sup>2</sup> ]	IP Rating
								J1	J2	J3	J4	J5	J6	J1	J2	J3	J4	J5	J6				
M-1 <i>i</i> A	M-1 <i>i</i> A/0.5S	R-30 <i>i</i> A Mate	4	0.5	± 0.02	20	diameter 280 mm , height 100 mm	720	—	—	—	—	—	—	—	—	—	—	—	—	—	—	IP20
	M-1 <i>i</i> A/0.5A		6	0.5	± 0.02	23		720	300	720	—	—	—	1440	1440	1440	—	—	—	—	—	—	



**Available in 2 versions:**

- M-1*i*A/0.5S, Single rotation axis for high speed picking, (total 4 axes)
- M-1*i*A/0.5A, Three axes wrist for flexible assembling, (total 6 axes)

THE M-1*i*A ROBOT SERIES IS IDEAL FOR INDUSTRIES PRODUCING COMPACT ELECTRONIC AND MECHANICAL DEVICES. FOR FAST AND COMPACT PRODUCTION CELLS. THE M-1*i*A ROBOT SERIES OFFERS THE MOTION FLEXIBILITY OF A HUMAN WRIST, FAST CYCLE TIMES, ULTRA COMPACT ARM, PRECISION AND MORE. THE FANUC R-30*i*A MATE AND FANUC R-30*i*A MATE OPEN AIR CONTROLLER REQUIRE MINIMUM SPACE WHILST SUPPORTING INTELLIGENT FUNCTIONS LIKE FANUC *i*RVISION.

## » FEATURES AND BENEFITS

### M-1*i*A Series, the solution for:

- Small parts handling
- Machine load/unload operations
- Assembly of electronic and mechanical devices
- Flexible parts feeding
- Small parts picking and packaging

### NOVEL LIGHTWEIGHT ROBOT FOR ELECTRONICS, MEASURING DEVICE AND OTHER PRECISION INDUSTRIES

- Up to 0.5 kg payload for handling and picking bolts, printed circuit boards etc.
- 280 mm diameter by 100 mm motion range with no dead zones ideal automate tasks, which need the full flexibility of a human hand
- For ultra compact production cells thanks to the compact and lightweight arm of FANUC Robot M-1*i*A and its compact and powerful FANUC R-30*i*A Mate Open Air Controller

### TOP THROUGHPUT AND NIMBLE 6-AXES MOTION

- Highest productivity for assembly and picking applications
- Lightweight mechanism with best cycle times
- Unique 6-axes parallel link arm mechanism allows to automate difficult tasks such as complex insertion, gluing, soldering and more

### FLEXIBLE MOUNTING SAVES PRECIOUS SPACE

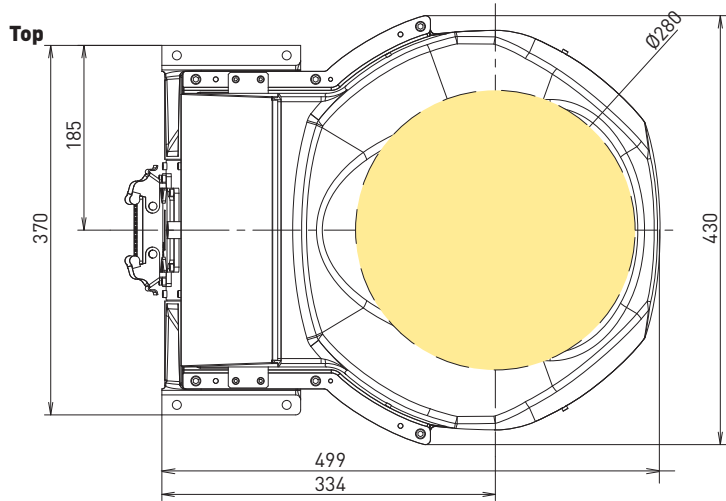
- Low mass arm <=23 kg (6-axes version with integrated stand) for compact and lightweight robot cell
- Top access to the work piece and integrated stand allows for plug and play installation
- Robot arm can be floor, ceiling and angle mounted to save space and optimize access to work piece and cycle times

### COMPACT AND INTELLIGENT CONTROLLER

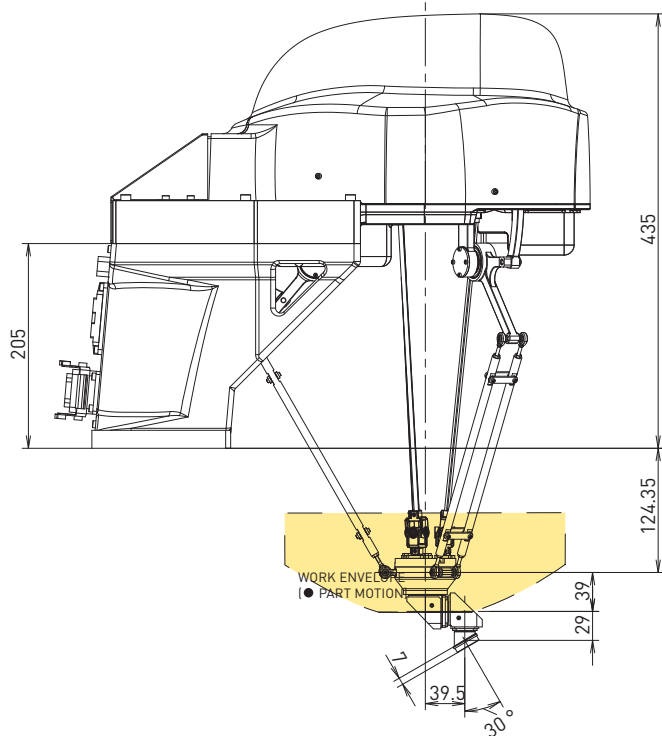
- FANUC R-30*i*A Mate Open Air Controller is ultra compact and can be mounted inside standard control cabinets.
- FANUC integrated *i*RVision can locate and check work pieces for flexible parts feeding applications and other intelligent tasks (Camera must be mounted remotely from robot)
- FANUC integrated Force Sensor can control force guided assembly and other intelligent applications (Force Sensor must be mounted remotely from robot)



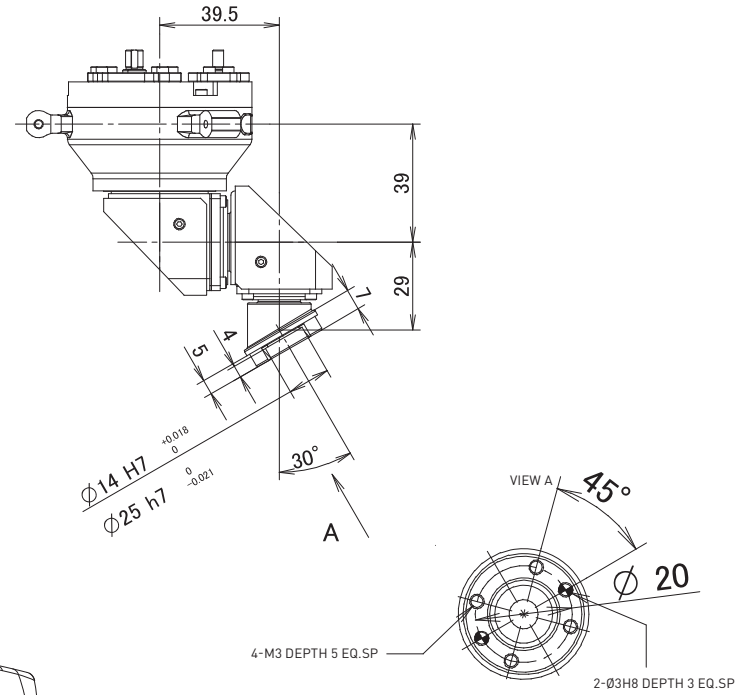
## M-1 iA/0.5A



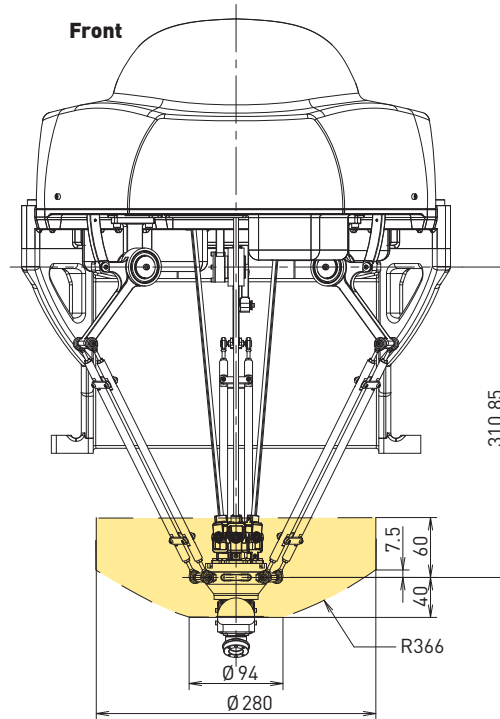
**Side**



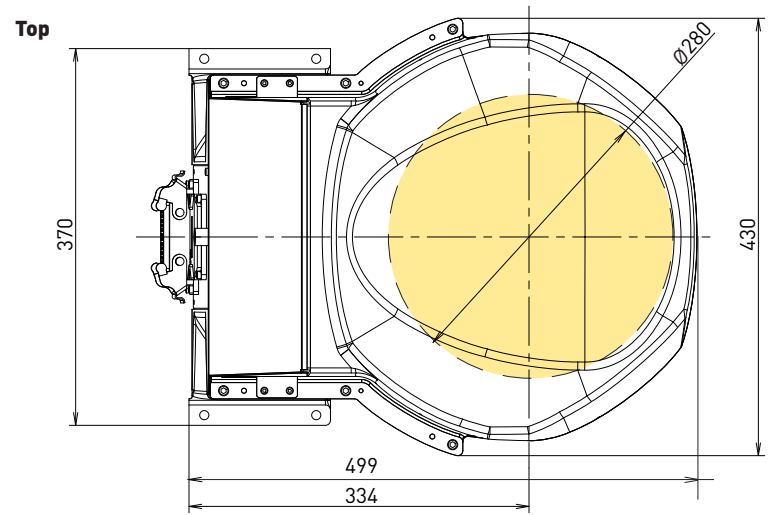
## Poignet M-1 iA/0.5A



**Front**



## M-1iA/0.5S



## Wrist M-1iA/0.5S

